

## Eco Preparation 1800 mm Sink with 2 Bowls - Right drain

ITEM # \_\_\_\_\_

MODEL # \_\_\_\_\_

NAME # \_\_\_\_\_

SIS # \_\_\_\_\_

AIA # \_\_\_\_\_

**132906 (SL218DN)**Sink unit with 2 bowls right  
hand drainer 500x500,  
1800mm

### Short Form Specification

**Item No.** \_\_\_\_\_

Worktop in 304 AISI stainless steel with front edge h=40mm. Rear upstand h=100mm. N.2 bowls 500x500mm. Front and side covering panels in stainless steel. Rear panel in stainless steel. Square section legs 40x40mm in stainless steel with adjustable feet.

### Main Features

- Sturdiness, stability and reliability of table accurately tested.

### Construction

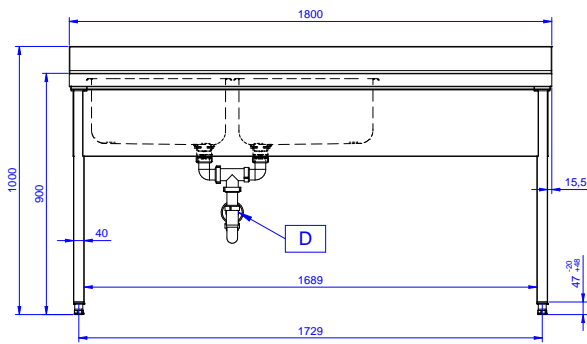
- Constructed entirely in stainless steel to offer maximum durability.
- Delivered in knock-down package.
- Wide range of taps are available to suit every need.
- Drainage area suitable for drying operations

### Optional Accessories

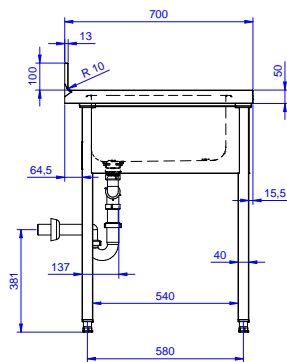
- Lower shelf for 1800mm tables and sinks PNC 855148
- Set of 4 wheels (2 with brake) d. 100mm for tables and sinks (total height on wheels= 993 mm) PNC 855150
- 3-sided underframe for 1800mm tables PNC 855155
- Single plastic drain syphon 1,5" PNC 855306
- Elbow operated mixer tap with spout, 3/4" single hole PNC 855322
- Elbow operated mixer tap short spout, 3/4" single hole PNC 855323
- Foot operated Mixer tap with spout & with hot&cold pedals, 3/4" PNC 855328

**APPROVAL:** \_\_\_\_\_

**Front**

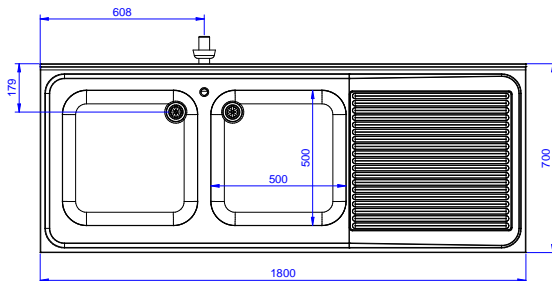


**Side**



**D** = Drain

**Top**



**Key Information:**

**External dimensions, Width:**

**132906 (SL218DN)** 1800 mm

**External dimensions, Depth:**

700 mm

**External dimensions, Height:**

900 mm

**Upstand Dimensions, Height:**

100 mm

**Upstand Dimensions, Depth:**

13 mm

**Upstand Dimensions, Radius:**

R=10

**Bowls number**

2

**Bowl dimensions**

500x500xH250

**Net weight:**

51 kg